



A DESTACO COMPANY

Automation
Robohand FERGUSON
CAMCO

ERRATA: IM-pAC Service Manual, Rev. 5

Part Number: 0472-0056-05

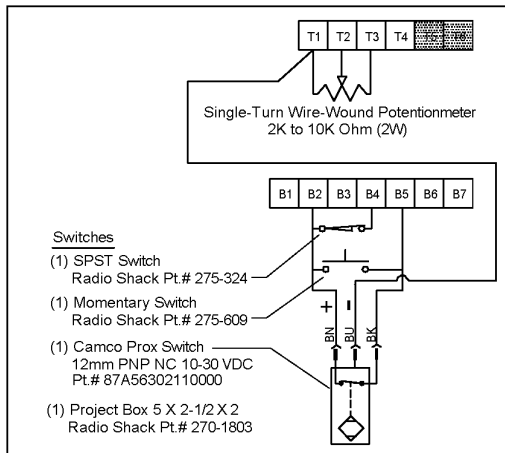
February 3, 2009

Page	Correction
5	Basic part number should be B90482 , not B90484
6	
31	
35	
36	
16	The wiring diagram for the proximity switch should show the Blue lead to T1 and the Black lead to B5. Refer to diagram below

Correct Diagram for Page 16:

Wiring switches to the IM-pAC Control Terminals (cover has been removed)

CYCLING ON DEMAND
USING PROX SWITCH
AND INVERTER DUTY
MOTOR (NO BRAKE)



www.destaco.com

Precisely positioning our customers for productivity.

Industrial Motion Control, LLC 1444 South Wolf Road, Wheeling, IL 60090
Toll Free: 1-888-DESTACO (337-8226) Tel: 847-459-5200 Fax: 847-459-3064