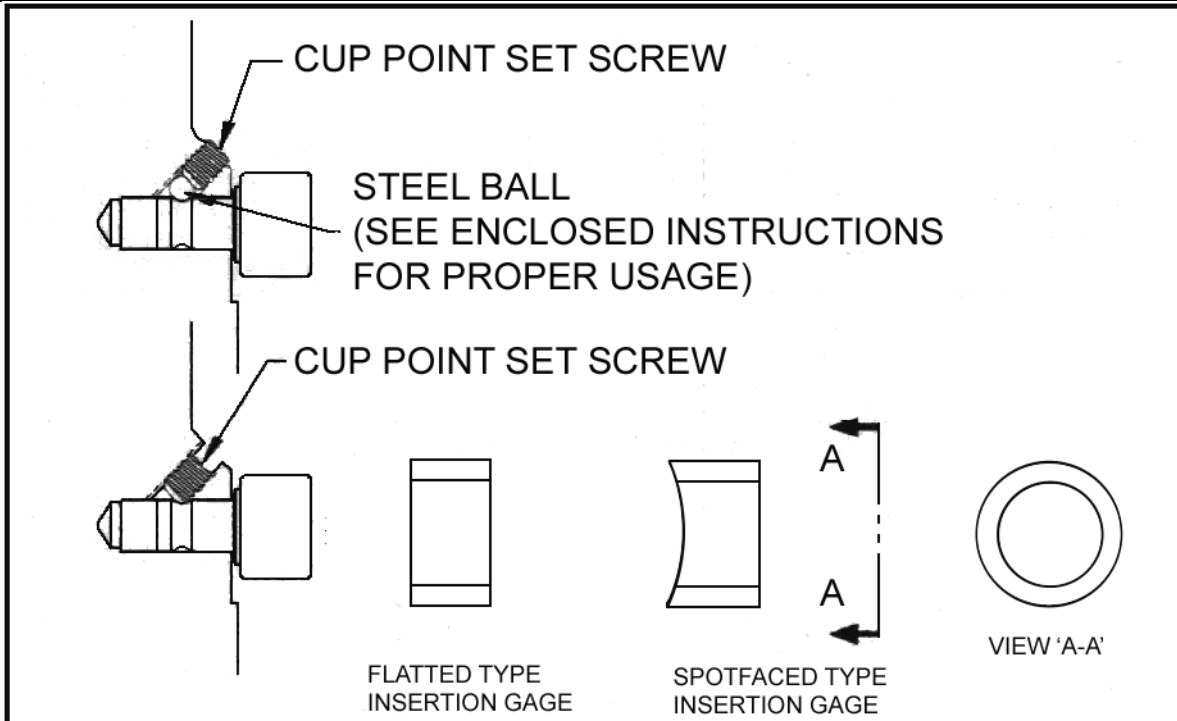


IMPORTANT!!!

Revised Cam Follower Installation Procedure



The H9 thru H32 (.287" thru 1.00" diameter) Cam Followers require a Steel Ball/Set Screw and an insertion gage for installation. The steel ball/set screw is used to anchor the cam followers to the follower wheel and the insertion gage kit is used to insure proper installation. The new cam followers need to be pressed onto the follower wheel to the position prescribed by the gage (if they are pressed in too far, they will not turn freely).

Cam Follower Installation Procedure

1. Obtain spare parts kit, cam followers and insertion gage kit.
2. Select proper insertion gage. The spot-faced type gage should be used if the cam follower mounting surface is spot-faced. If no spot face is present, the flatted type gage should be used (see gage illustration, above).
3. Place insertion gage around the outer diameter of the cam follower while pressing onto the follower wheel.
4. Refer to the following chart to determine if the steel ball and set screw or the set screw only* should be used for anchoring the cam follower. The anchoring hardware may not always align exactly with the groove on the cam follower but it will always align within an acceptable range. The cup point style set screw is always required.

* If steel balls and set screws were supplied with the original unit, continue using steel balls and set screws (reuse original set or use set provided in the spare parts kit).

Cam Follower Anchoring Method

MODEL	CAM FOLLOWER	DIAMETER (INCHES)	ANCHORING METHOD
MINIATURE RGD/RGS	H9 thru H24	.287 thru .750	BALL/SET SCREW
350RGD / RGS	H20 thru H32	.750 thru 1.00	BALL/SET SCREW
350RG	H20 thru H24	.625 thru .750	SET SCREW ONLY *
500RGD / RGS	H28 thru H32	.875 thru 1.000	BALL/SET SCREW
500RG	H28 thru H32	.875 thru 1.000	SET SCREW ONLY *
80RDM	H16	.500	BALL/SET SCREW
80RDM	H20	.625	SET SCREW ONLY *
600RDM	H20 thru H24	.625 thru .750	SET SCREW ONLY *
601RDM	H20 thru H24	.625 thru .750	BALL/SET SCREW
900RDM or 901RDM	H20 thru H32	.625 thru 1.000	SET SCREW ONLY *
902RDM	H20 thru H28	.625 thru .875	SET SCREW ONLY *
902RDM	H32	1.000	BALL/SET SCREW
1305RDM	H28 thru H32	.875 thru 1.000	BALL/SET SCREW
425RD	H20 thru H28	.625 thru .875	SET SCREW ONLY *
425RD	H32	1.000	BALL/SET SCREW
800RD	H28 thru H32	.875 thru 1.000	SET SCREW ONLY *
150RPP LIFT & ROTARY	H20	.625	BALL/SET SCREW
300RPP ROTARY	H24	.750	SET SCREW ONLY *
300RPP LIFT	H24	.750	BALL/SET SCREW
500RPP ROTARY	H24 thru H32	.750 thru 1.000	SET SCREW ONLY *
500RPP LIFT	H24 thru H28	.750 thru .875	SET SCREW ONLY *
500RPP LIFT	H32	1.000	BALL/SET SCREW
240LPP	H20	.625	BALL/SET SCREW
240LPP	H24	.750	SET SCREW ONLY *
380LPP	H24	.750	BALL/SET SCREW
380LPP	H32	1.000	SET SCREW ONLY *

* If steel balls and set screws were supplied with the original unit, continue using steel balls and set screws (reuse original set or use set provided in the spare parts kit).

Cam Follower Part Numbers

CAM FOLLOWER SIZE	DIAMETER (INCHES)	NEW PN	OBSOLETE PN
H9	.287	82C33150150003	82A48589000000
H12	.366	82C33150160003	82A49590000000
H14	.445	82C33150170003	82A49591000000
H16	.500	82C33150100003	82C33150060003
H18	.563	82C33150180003	82A49592000000
H20	.625	82C33150110003	82C33150010003
H24	.750	82C33150120003	82C33150020003
H28	.875	82C33150130003	82C33150030003
H32	1.000	82C33150140003	82C33150040003

Insertion Gage Kit Part Numbers

MODEL	CAM FOLLOWER	DIAMETER (INCH)	INSERTION GAGE KIT
MINIATURE RGD/RGS	H9	.287	99A73572000000
MINIATURE RGD/RGS	H12	.366	99A73571000000
MINIATURE RGD/RGS	H14	.445	99A73570000000
MINIATURE RGD/RGS	H16	.500	99A73568000000
MINIATURE RGD/RGS	H18	.563	99A73569000000
MINIATURE RGD/RGS	H20	.625	99A73560000000
MINIATURE RGD/RGS	H24	.750	99A73565000000
MINIATURE RGD/RGS	H28	.875	99A73567000000
110RGD / RGS	H20	.625	99A73560000000
110RGD / RGS	H24	.750	99A73565000000
110RGD / RGS	H28	.875	99A73567000000
140RGD / RGS	H24	.750	99A73565000000
140RGD / RGS	H28	.875	99A73567000000

350RGD / RGS	H20	.625	IGS350RGDH20
350RGD / RGS	H24	.750	IGS350RGDH24
350RG	H20	.625	48A73573000000
350RG	H24	.750	48A73574000000
500RGD / RGS	H28	.875	IGS500RGDH28
500RG	H28	.875	58A73587000000
80RDM	H16	.500	IGS80RDMH16
80RDM	H20	.625	IGS80RDMH20
600RDM	H20	.625	56A73580000000
600RDM	H24	.750	99A73565000000
601RDM	H20	.625	IGS601RDMH20
601RDM	H24	.750	IGS601RDMH24
901RDM	H20	.625	56A73580000000
901RDM	H24	.750	56A73581000000
901RDM	H28	.875	56A73582000000
902RDM	H20	.625	IGS902RDMH20
902RDM	H24	.750	IGS902RDMH24
902RDM	H28	.875	IGS902RDMH28
1305RDM	H20	.625	IGS1305RDMH20
1305RDM	H24	.750	IGS1305RDMH24
1305RDM	H28	.875	IGS1305RDMH28
425RD	H24	.750	IGS425RDH24
425RD	H28	.875	IGS425RDH28
800RD	H28	.875	IGS800RDH28
150RPP ROTARY	H20	.625	IGS150RPPH20
150RPP LIFT	H20	.625	48A73573000000
150RPP LIFT	H24	.750	IGS150RPPH24L
300RPP LIFT & ROTARY	H24	.750	IGS300RPPH24
500RPP ROTARY	H24	.750	IGS500RPPH24
500RPP ROTARY	H28	.875	IGS500RPPH28
500RPP LIFT	H24	.750	03A73593000000
500RPP LIFT	H28	.875	03A73590000000
900RPP RECIP	H24	.750	99A73565000000
240LPP	H20	.625	IGS240LPPH20
240LPP	H24	.750	IGS240LPPH24
380LPP	H24	.750	IGS380LPPH24

* H32 cam followers do not require insertion gage kit

Steel Ball & Set Screw Compatibility Chart

If spare parts kit is not ordered, ball & set screw must be ordered separately (at no cost)

MODEL	CAM FOLLOWER	DIAMETER (INCH)	PART NUMBER
40RGD / RGS	H9	.287	95A3304103000 SET SCREW 95A67373010000 STEEL BALL
40RGD / RGS	H9 thru H12	.287 thru .750	95A33041020000 SET SCREW 95A67373010000 STEEL BALL
50RGD / RGS	H12	.750	95A33041030000 SET SCREW 95A67373010000 STEEL BALL
50RGD / RGS	H14 thru H18	.445 thru .563	95A33041110000 SET SCREW 95A67373000000 STEEL BALL
70RGD / RGS	H14 thru H20	.445 thru .625	95A33041110000 SET SCREW 95A67373000000 STEEL BALL
70RGD / RGS	H24	.750	95A33041190000 SET SCREW 95A67373020000 STEEL BALL
80RGD / RGS	H18	.563	95A33041110000 SET SCREW 95A67373000000 STEEL BALL
80RGD / RGS	H20 thru H28	.625 thru .875	95A33041170000 SET SCREW 95A67373030000 STEEL BALL
350RG	H20 thru H24	.625 thru .750	95A26005320000 SET SCREW

350RGD / RGS	H20 thru H24	.625 thru .750	95A26005310000 SET SCREW 95A67373000000 STEEL BALL
350RGD / RGS	H32	1.000	95A26005300000 SET SCREW 95A67373000000 STEEL BALL
500RG	H28	.875	95A26005330000 SET SCREW
500RGD / RGS	H28	.875	95A26005300000 SET SCREW 95A67373000000 STEEL BALL
500RG	H32	1.000	95A26005450000 SET SCREW
500RGD / RGS	H32	1.000	95A26005440000 SET SCREW 95A67373020000 STEEL BALL
80RDM	H16	.500	95A33041110000 SET SCREW 95A67373000000 STEEL BALL
80RDM	H20	.625	95A33041180000 SET SCREW 95A67373020000 STEEL BALL
600RDM	H20 thru H24	.625 thru .750	95A26005300000 SET SCREW
601RDM	H20 thru H24	.625 thru .750	95A26005290000 SET SCREW 95A67373000000 STEEL BALL
900RDM	H32	1.000	95A26005440000 SET SCREW
901RDM	H20 thru H28	.625 thru .750	95A26005320000 SET SCREW
902RDM	H20 thru H28	.625 thru .750	95A26005320000 SET SCREW 95A67373000000 STEEL BALL
901RDM	H32	1.000	95A26005440000 SET SCREW
902RDM	H32	1.000	95A26005420000 SET SCREW 95A67373020000 STEEL BALL
1305RDM	H28	.875	95A26005320000 SET SCREW 95A67373000000 STEEL BALL
1305RDM	H32	1.000	95A26005420000 SET SCREW 95A67373020000 STEEL BALL
425RD	H20 thru H32	.625 thru 1.000	95A26005420000 SET SCREW 95A67373020000 STEEL BALL
800RD	H28 thru H32	.875 thru 1.000	95A26005450000 SET SCREW 95A67373020000 STEEL BALL
150RPP LIFT & ROTARY	H20	.625	95A26005300000 SET SCREW 95A67373000000 STEEL BALL
300RPP LIFT & ROTARY	H24	.750	95A26005300000 SET SCREW 95A67373000000 STEEL BALL
500RPP LIFT & ROTARY	H24 thru H28	.750 thru .875	95A26005300000 SET SCREW 95A67373000000 STEEL BALL
500RPP LIFT & ROTARY	H32	1.000	95A26005420000 SET SCREW 95A67373020000 STEEL BALL
240LPP LIFT & TRANSFER	H20	.625	95A26005290000 SET SCREW 95A67373000000 STEEL BALL
240LPP LIFT & TRANSFER	H24	.750	95A26005310000 SET SCREW 95A67373000000 STEEL BALL
380LPP LIFT	H24	.750	95A26005300000 SET SCREW 95A67373000000 STEEL BALL
380LPP TRANSFER	H32	1.000	95A26005420000 SET SCREW 95A67373020000 STEEL BALL