

The Digi-Dog is a digitally programmable rotary limit switch based upon resolver technology and EEPROM memory. An LCD displays position, output status and setup menus. It is available in two versions – the standard mount and panel mount. Both with options for 4 or 8 channels of outputs with combinations of AC or DC inputs or outputs. The Digi-Dog can be

easily programmed using the operator display. Process times and sequences can be optimized in much less time when compared to other devices which require opening the enclosure and resetting timing dials using spanner wrenches. The panel mount allows debugging to occur at a safe distance from the machine.



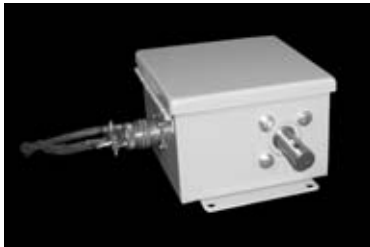
Standard Mount

The standard mount unit is an all-in-one assembly, and is primarily used in areas where accessibility is not a problem. The standard mount unit uses a NEMA 12 sealed enclosure, dual rugged seal bearings and 3/4" extended shaft with #606 woodruff key. This unit can be ordered in many different configurations to suit customers' needs.



Panel Mount Display

The panel mount display is used in a variety of applications, including those that involve the ability to make adjustments outside of the machines safety fencing, while not stopping production. The panel mount display can be mounted up to 1000 feet away from the resolver unit. 12 or 16-bit resolution can be achieved using the panel mount display. Set-up is easily done using the (4) button keypad and LCD display.



Resolver Unit

Resolver unit is housed in a NEMA-12 sealed enclosure with dual rugged sealed bearings and a 3/4" extended shaft with #606 woodruff key. The remote resolver unit is ideal for harsh or inaccessible areas. Resolver can be ordered in many different configurations to suit customers' needs.



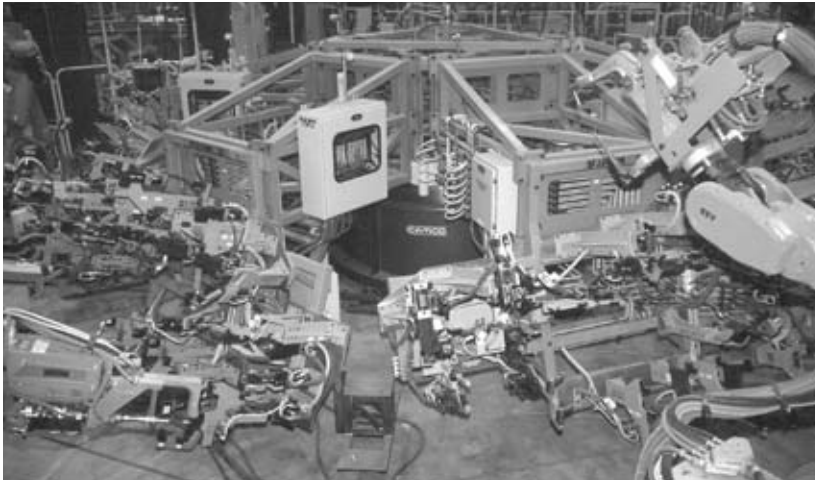
Cable Assembly

Cable assemblies are made to any length up to 1000 feet. Cables are jacketed and shielded for high noise immunity. Cables also incorporate a twist lock type connector for a secure, sealed connection. Cables are easily fed into the main electrical enclosure with a standard DB-9 fitting.

Features

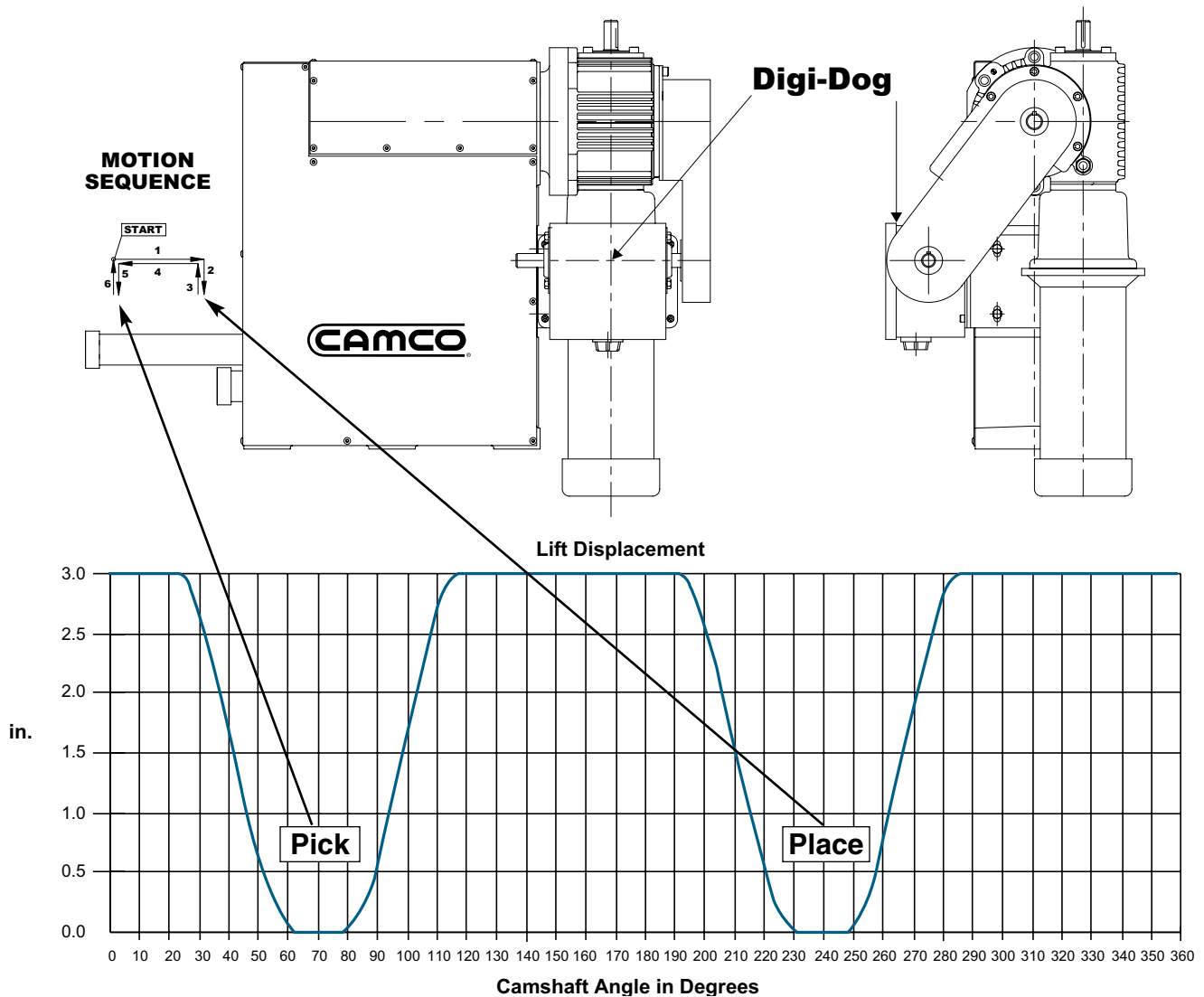
- ◆ LCD Displays Position, Output Status, and Setup Menus.
- ◆ Easy Digital Adjustments of Outputs.
- ◆ User Friendly.
- ◆ EEPROM Memory to Save Setup and Position during Power Loss.
- ◆ Available with 12-Bit Single or Multi-Turn "Absolute" Resolver.
- ◆ Available with 16-Bit Multi-Turn "Absolute" Resolver.
- ◆ Available with 4 or 8 Outputs (AC or DC).
- ◆ Available with 24 VDC, 120 VAC or 240 VAC Input Power.
- ◆ LED Indicator Lights for Power Supply and Outputs.
- ◆ Program Enable Switch to Prevent Unauthorized Programming.
- ◆ Sealed NEMA 12 Enclosure.
- ◆ Brad-Harrison Connector Available.
- ◆ UL Listed #E-235560

Application Examples



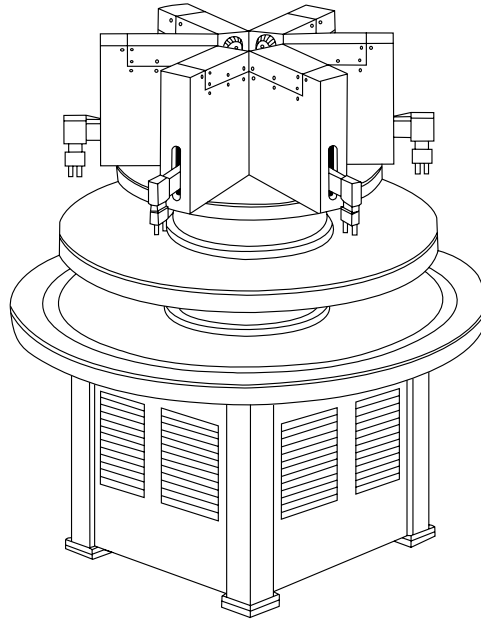
The Digi-Dog can be mounted to the camshaft of the IMC E-Series index drive and used to signal the PLC or PC controller at the start and end of the motion and at the mid-point of the dwell.

A Digi-Dog is directly connected by a timing belt with a 1:1 ratio to the camshaft of an IMC LPP (linear pick and place parts handler). The Digi-Dog has been programmed to signal the gripper to open and close at the pick and place point of the motion. The Digi-Dog also signals the motor to stop when the LPP has completed its cycle.

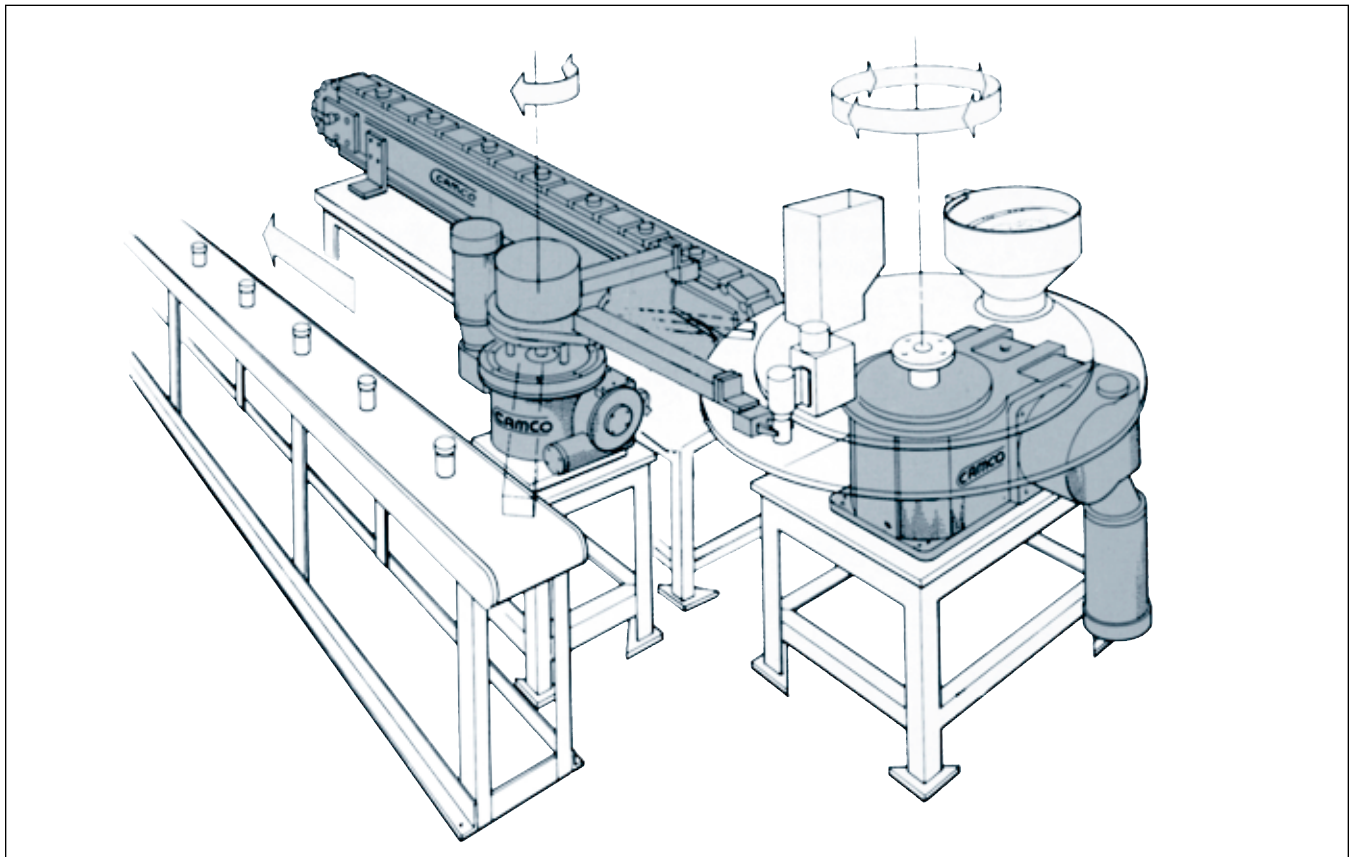


Application Examples

A Digi-Dog can be used to sequence all the axes and grippers in a Basic Assembly Machine.



An IMC rotary parts handler transfers parts from a precision link conveyor to a rotary index table and then to a belt conveyor. The Digi-Dog is used to synchronize the parts handler, precision conveyor and index table.



Ordering Information for Standard Mount

IMC Part Number	Housing	Ratio	Output Relays	Power Supply
99D83756010000	12-Bit Single Turn 6" x 6" (Short Left Hand Shaft)	Direct	Qt. (4) 24-240 VAC	24 VDC
99D83756020000	12-Bit Single Turn 6" x 6" (Short Left Hand Shaft)	Direct	Qt. (4) 24-240 VAC	120 VAC
99D83756030000	12-Bit Single Turn 6" x 6" (Short Left Hand Shaft)	Direct	Qt. (4) 24-240 VAC	240 VAC
99D83756040000	12-Bit Single Turn 6" x 6" (Short Left Hand Shaft)	Direct	Qt. (4) 5-60 VDC	24 VDC
99D83756050000	12-Bit Single Turn 6" x 6" (Short Left Hand Shaft)	Direct	Qt. (4) 5-60 VDC	120 VAC
99D83756060000	12-Bit Single Turn 6" x 6" (Short Left Hand Shaft)	Direct	Qt. (4) 5-60 VDC	240 VAC
99D83756070000	12-Bit Single Turn 6" x 6" (Short Right Hand Shaft)	Direct	Qt. (4) 24-240 VAC	24 VDC
99D83756080000	12-Bit Single Turn 6" x 6" (Short Right Hand Shaft)	Direct	Qt. (4) 24-240 VAC	120 VAC
99D83756090000	12-Bit Single Turn 6" x 6" (Short Right Hand Shaft)	Direct	Qt. (4) 24-240 VAC	240 VAC
99D83756100000	12-Bit Single Turn 6" x 6" (Short Right Hand Shaft)	Direct	Qt. (4) 5-60 VDC	24 VDC
99D83756110000	12-Bit Single Turn 6" x 6" (Short Right Hand Shaft)	Direct	Qt. (4) 5-60 VDC	120 VAC
99D83756120000	12-Bit Single Turn 6" x 6" (Short Right Hand Shaft)	Direct	Qt. (4) 5-60 VDC	240 VAC
99D83756130000	12-Bit Single Turn 8" x 8" (Long Left Hand Shaft)	Direct	Qt. (8) 24-240 VAC	24 VDC
99D83756140000	12-Bit Single Turn 8" x 8" (Long Left Hand Shaft)	Direct	Qt. (8) 24-240 VAC	120 VAC
99D83756150000	12-Bit Single Turn 8" x 8" (Long Left Hand Shaft)	Direct	Qt. (8) 24-240 VAC	240 VAC
99D83756160000	12-Bit Single Turn 8" x 8" (Long Left Hand Shaft)	Direct	Qt. (8) 5-60 VDC	24 VDC
99D83756170000	12-Bit Single Turn 8" x 8" (Long Left Hand Shaft)	Direct	Qt. (8) 5-60 VDC	120 VAC
99D83756180000	12-Bit Single Turn 8" x 8" (Long Left Hand Shaft)	Direct	Qt. (8) 5-60 VDC	240 VAC
99D83756190000	12-Bit Single Turn 8" x 8" (Long Right Hand Shaft)	Direct	Qt. (8) 24-240 VAC	24 VDC
99D83756200000	12-Bit Single Turn 8" x 8" (Long Right Hand Shaft)	Direct	Qt. (8) 24-240 VAC	120 VAC
99D83756210000	12-Bit Single Turn 8" x 8" (Long Right Hand Shaft)	Direct	Qt. (8) 24-240 VAC	240 VAC
99D83756220000	12-Bit Single Turn 8" x 8" (Long Right Hand Shaft)	Direct	Qt. (8) 5-60 VDC	24 VDC
99D83756230000	12-Bit Single Turn 8" x 8" (Long Right Hand Shaft)	Direct	Qt. (8) 5-60 VDC	120 VAC
99D83756240000	12-Bit Single Turn 8" x 8" (Long Right Hand Shaft)	Direct	Qt. (8) 5-60 VDC	240 VAC

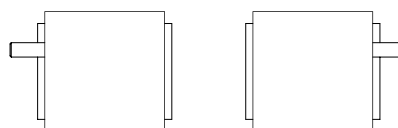
Ordering Information for Panel Mount

IMC Part Number	Resolver Housing	Ratio	Output Relays	Power Supply	Cable
99D83765010000	12-Bit Single Turn 6" x 6" (Short Left Hand Shaft)	Direct	Qt. (4) 24-240 VAC	24 VDC	100 ft.
99D83765020000	12-Bit Single Turn 6" x 6" (Short Right Hand Shaft)	Direct	Qt. (4) 24-240 VAC	24 VDC	100 ft.
99D83765030000	12-Bit Single Turn 6" x 6" (Short Left Hand Shaft)	Direct	Qt. (4) 24-240 VAC	120 VAC	100 ft.
99D83765040000	12-Bit Single Turn 6" x 6" (Short Right Hand Shaft)	Direct	Qt. (4) 24-240 VAC	120 VAC	100 ft.
99D83765050000	12-Bit Single Turn 6" x 6" (Short Left Hand Shaft)	Direct	Qt. (4) 24-240 VAC	240 VAC	100 ft.
99D83765060000	12-Bit Single Turn 6" x 6" (Short Right Hand Shaft)	Direct	Qt. (4) 24-240 VAC	240 VAC	100 ft.
99D83765070000	12-Bit Single Turn 6" x 6" (Short Left Hand Shaft)	Direct	Qt. (4) 5-60 VDC	24 VDC	100 ft.
99D83765080000	12-Bit Single Turn 6" x 6" (Short Right Hand Shaft)	Direct	Qt. (4) 5-60 VDC	24 VDC	100 ft.
99D83765090000	12-Bit Single Turn 6" x 6" (Short Left Hand Shaft)	Direct	Qt. (4) 5-60 VDC	120 VAC	100 ft.
99D83765100000	12-Bit Single Turn 6" x 6" (Short Right Hand Shaft)	Direct	Qt. (4) 5-60 VDC	120 VAC	100 ft.
99D83765110000	12-Bit Single Turn 6" x 6" (Short Left Hand Shaft)	Direct	Qt. (4) 5-60 VDC	240 VAC	100 ft.
99D83765120000	12-Bit Single Turn 6" x 6" (Short Right Hand Shaft)	Direct	Qt. (4) 5-60 VDC	240 VAC	100 ft.
99D83765130000	12-Bit Single Turn 8" x 8" (Long Left Hand Shaft)	Direct	Qt. (8) 24-240 VAC	24 VDC	100 ft.
99D83765140000	12-Bit Single Turn 8" x 8" (Long Right Hand Shaft)	Direct	Qt. (8) 24-240 VAC	24 VDC	100 ft.
99D83765150000	12-Bit Single Turn 8" x 8" (Long Left Hand Shaft)	Direct	Qt. (8) 24-240 VAC	120 VAC	100 ft.
99D83765160000	12-Bit Single Turn 8" x 8" (Long Right Hand Shaft)	Direct	Qt. (8) 24-240 VAC	120 VAC	100 ft.
99D83765170000	12-Bit Single Turn 8" x 8" (Long Left Hand Shaft)	Direct	Qt. (8) 24-240 VAC	240 VAC	100 ft.
99D83765180000	12-Bit Single Turn 8" x 8" (Long Right Hand Shaft)	Direct	Qt. (8) 24-240 VAC	240 VAC	100 ft.
99D83765190000	12-Bit Single Turn 8" x 8" (Long Left Hand Shaft)	Direct	Qt. (8) 5-60 VDC	24 VDC	100 ft.
99D83765200000	12-Bit Single Turn 8" x 8" (Long Right Hand Shaft)	Direct	Qt. (8) 5-60 VDC	24 VDC	100 ft.
99D83765210000	12-Bit Single Turn 8" x 8" (Long Left Hand Shaft)	Direct	Qt. (8) 5-60 VDC	120 VAC	100 ft.
99D83765220000	12-Bit Single Turn 8" x 8" (Long Right Hand Shaft)	Direct	Qt. (8) 5-60 VDC	120 VAC	100 ft.
99D83765230000	12-Bit Single Turn 8" x 8" (Long Left Hand Shaft)	Direct	Qt. (8) 5-60 VDC	240 VAC	100 ft.
99D83765240000	12-Bit Single Turn 8" x 8" (Long Right Hand Shaft)	Direct	Qt. (8) 5-60 VDC	240 VAC	100 ft.

SHAFT LOCATION

L = LEFT HAND

R = RIGHT HAND



Shaft extension:
Short = 1.56 inches
Long = 2.12 inches

