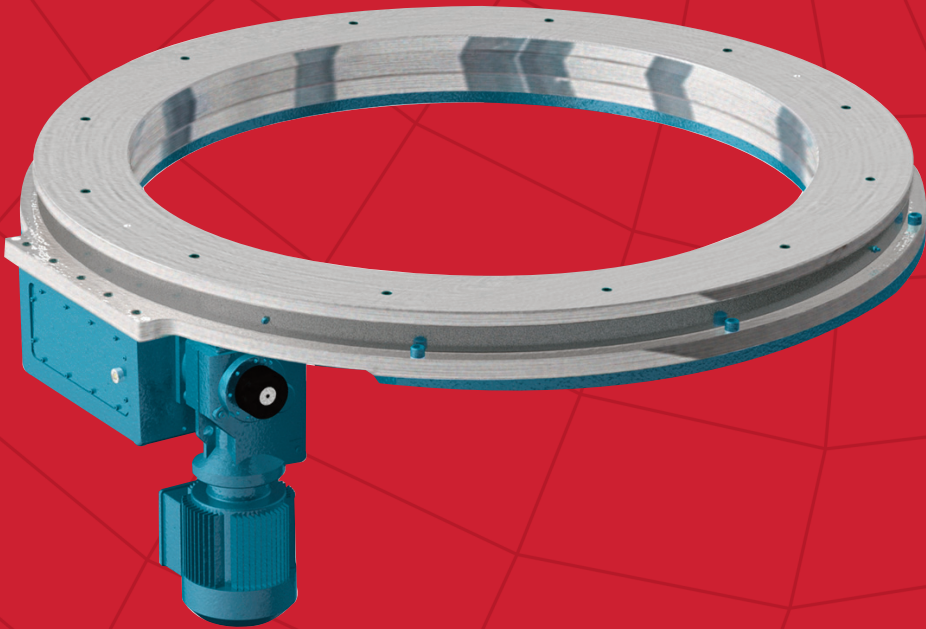




Automation
Robohand FERGUSON
CAMCO



CAMCO RING INDEX DRIVES

www.destaco.com

Precisely positioning our customers for productivity.

WORK FROM WITHIN

Benefits

THE CAMCO® RING DRIVE offers easy-to-integrate automation that fits easily into your operations.

- **Minimize machine footprint:** Mount your equipment inside the through-hole of the CAMCO Ring Drive.
- **Easily tool the ring drive:** Attach fixtures directly to the dial ring, eliminating the need for an additional dial plate.
- **Best technical support and service:** Worldwide access to our global network.

Features

GREAT DESIGN FLEXIBILITY

- Available in four sizes: .75 to 2.0 meter diameters
- Dial Ring can be removed for machining to mounting your tooling and fixtures.
- Large center through-hole to accommodate auxiliary equipment
- 60 station capability, ideal for multiple part automatic assembly machines
- Steel Dial Ring or optional Aluminum Ring
- Broad range of motions and drive packages

Applications

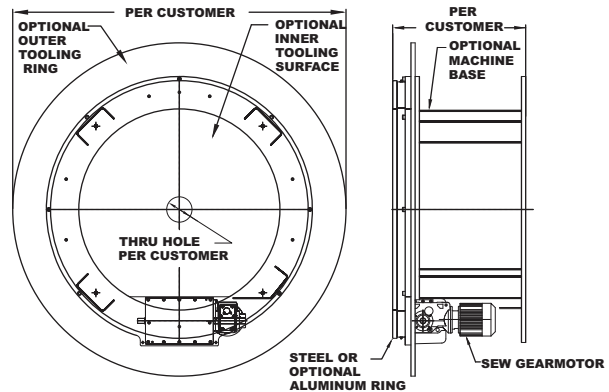
- Printing and decorating machines
- Rotary automatic assembly machines
- Ideal for assembly systems requiring a large number of tooling stations
- The Ring Drive can replace a small conveyor

ROBUST AND RELIABLE

- Superior accuracy, similar to a precision link conveyor - your work station is located over the cam for maximum accuracy.
- High precision, hardened cams available in standard and special motions
- Sealed 4-point contact output bearing and large cam followers for superior accuracy and load capability (models 750RNG, 1100RNG and 1550RNG)
- Modular shaft-mounted reducers for application flexibility and easy maintenance
- Access to cam followers for easy inspection and replacement
- Tapered roller bearings on camshaft

OPTIONS

- Aluminum dial ring
- Servo-motor drive package for applications requiring fewer than 6 stations and applications requiring process flexibility
- Custom dials & tooling plates
- Custom reducer drive packages
- Machined bases



STANDARD DRIVE PACKAGE

The CAMCO Ring Drive comes with a complete package including:

- Gear Reducer
- AC Motor
- AC Motor Drive
- Cycle Cam and Limit Switch

Reducer and Motor

	KH37 1 hp	KH47 2 hp	KH57 3 hp
750RNG	✓		
1100RNG	✓	✓	
1550RNG		✓	
2000RNG			✓

RING DRIVE Technical Specifications

Model	Follower Size		(FR) Follower Radius		Accuracy			Maximum Through Hole	
	mm	inches	mm	inches	arc-second	±mm @ FR	±inches @ FR	mm	inches
750RNG	31.75	1.25	323.85	12.75	60	0.047	0.0018	430	16.9
1100RNG	31.75	1.25	448.30	17.65	35	0.038	0.0015	800	31.5
1550RNG	38.1	1.50	648.00	25.51	25	0.039	0.0015	1,210	47.6
2000RNG	44.45	1.75	860.50	33.88	17	0.035	0.0015	1,550	61.0

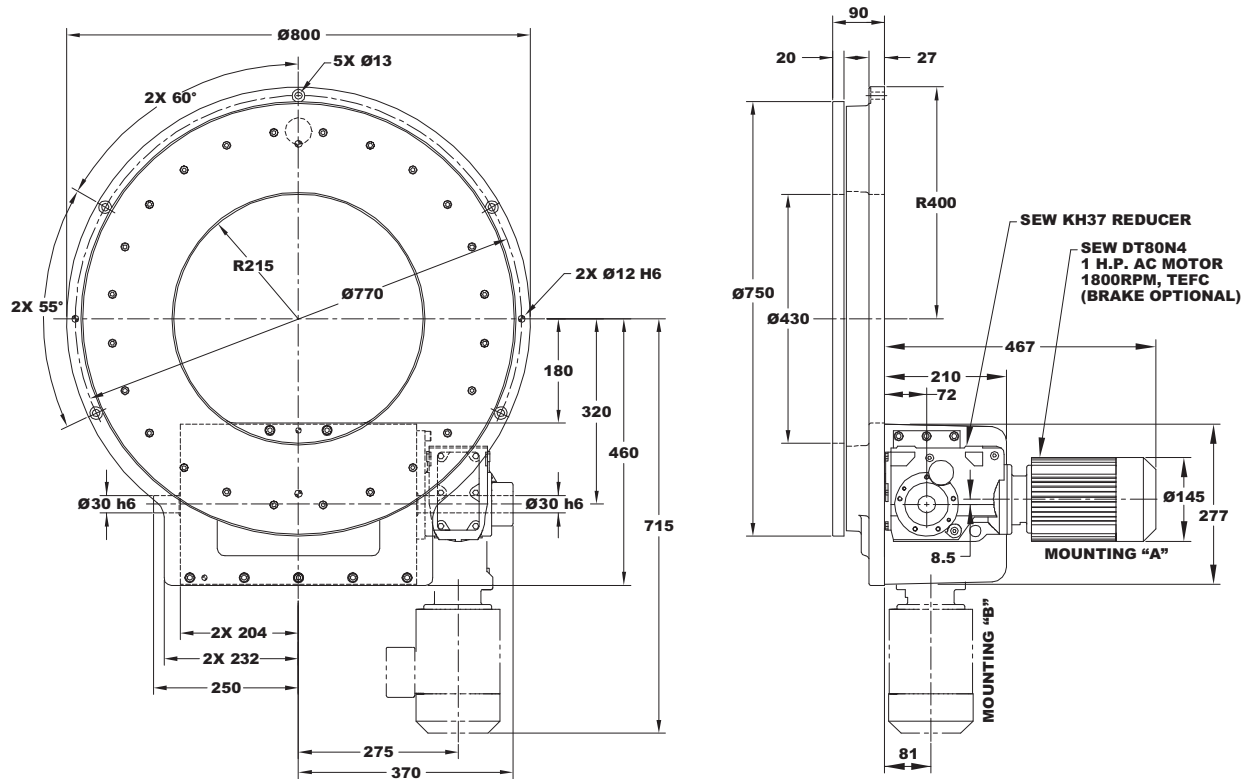
Model	Output Bearing Capacity					
	Axial (lbs)	Radial (lbs)	Moment (in-lbs)	Axial (N)	Radial (N)	Moment (Nm)
750RNG	14,550	5,850	61,200	64,020	25,740	6,915
1100RNG	16,552	36,350	149,376	73,732	161,762	16,879
1550RNG	17,417	54,340	227,622	77,583	241,818	25,720
2000RNG	12,827	1,443	90,131	56,438	6,350	10,184

Model	Input Drive			
	hp		kw	
750RNG	–	1.00	–	0.75
1100RNG	1.00	2.00	0.75	1.50
1550RNG	2.00	3.00	1.50	2.25
2000RNG	3.00	5.00	2.25	3.75

750RNG / 1100RNG

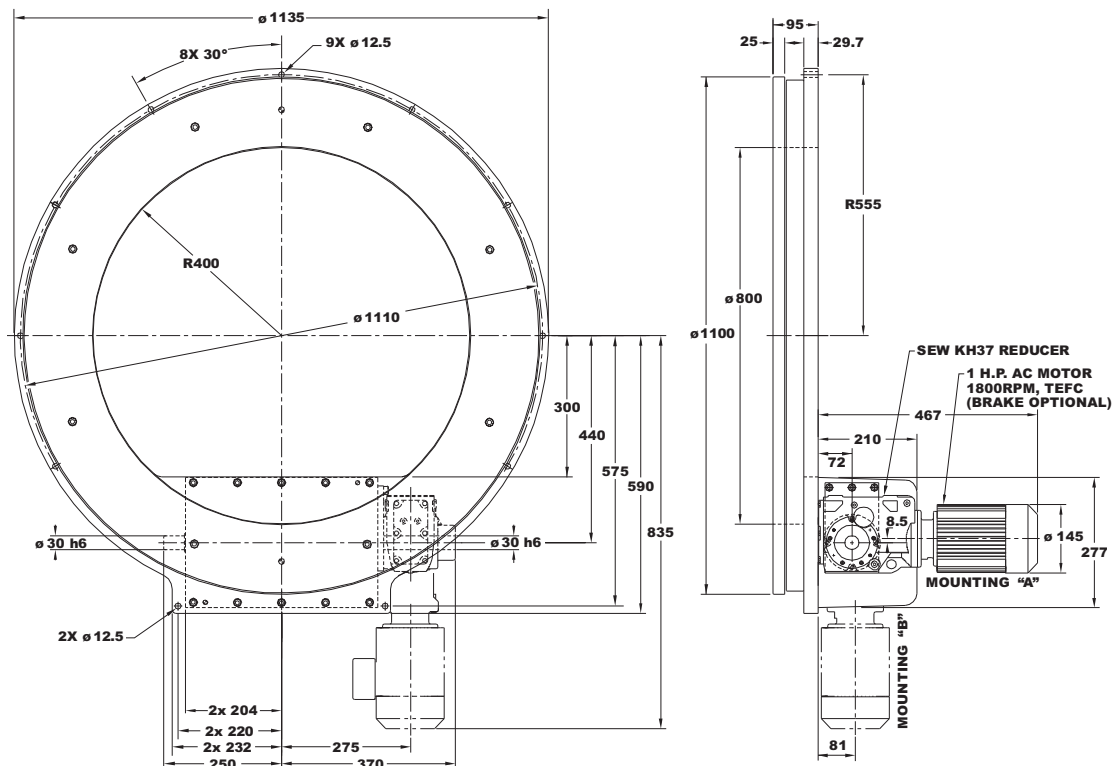


750RNG



All dimensions are subject to change. For actual dimensions, please request the current drawing from CAMCO.

1100RNG

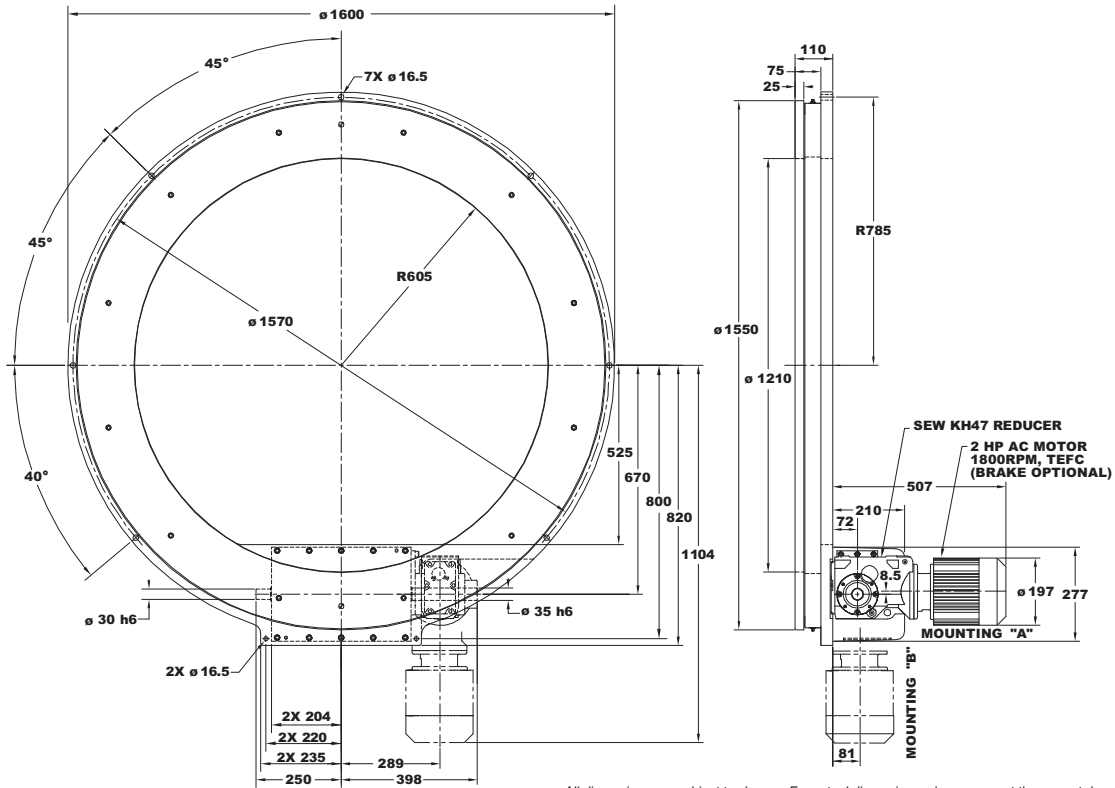


All dimensions are subject to change. For actual dimensions, please request the current drawing from CAMCO.

1550RNG / 2000RNG

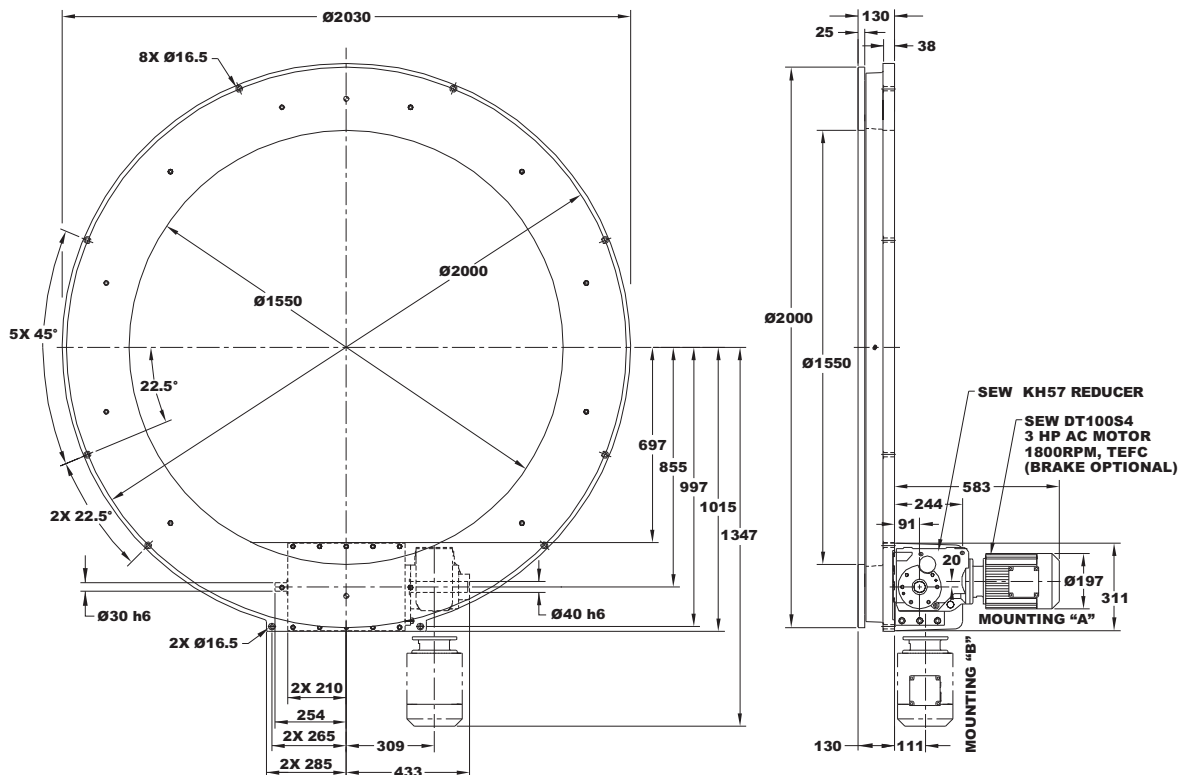


1550RNG



All dimensions are subject to change. For actual dimensions, please request the current drawing from CAMCO.

2000RNG



All dimensions are subject to change. For actual dimensions, please request the current drawing from CAMCO.

RING DRIVE Capacities

Stops (S)	Index Period (β)	Motion	B10 Capacity at 50 RPM (in-lb)	Internal Inertia (lb-in ²)	B10 Capacity at 50 RPM (Nm)	Internal Inertia (kg-m ²)	Model
4	330	ms	21,482	28,410	2,427	8.31	750RNG4H40-330
6	300	ms	30,475	28,586	3,444	8.37	750RNG6H40-300
8	300	ms	35,606	28,586	4,023	8.37	750RNG8H40-300
10	300	ms	38,312	28,410	4,329	8.31	750RNG10H40-300
12	300	ms	41,771	28,586	4,720	8.37	750RNG12H40-300
15	300	ms	45,446	28,851	5,135	8.44	750RNG15H40-300
16	300	ms	46,866	28,939	5,296	8.47	750RNG16H40-300
18	300	ms	47,261	29,116	5,340	8.52	750RNG18H40-300
20	300	ms	40,653	28,410	4,594	8.31	750RNG20H40-300
24	300	ms	43,382	28,586	4,902	8.37	750RNG24H40-300
30	300	ms	46,852	28,851	5,294	8.44	750RNG30H40-300
36	300	ms	46,862	29,116	5,295	8.52	750RNG36H40-300
6	300	ms	35,682	116,588	4,032	34	1100RNG6H40-300
8	300	ms	44,654	116,588	5,046	34	1100RNG8H40-300
10	300	ms	50,481	117,095	5,704	34	1100RNG10H40-300
12	300	ms	54,954	116,588	6,209	34	1100RNG12H40-300
15	300	ms	60,654	117,095	6,854	34	1100RNG15H40-300
16	300	ms	62,628	117,264	7,077	34	1100RNG16H40-300
18	300	ms	65,755	117,601	7,430	34	1100RNG18H40-300
20	300	ms	68,444	117,939	7,734	35	1100RNG20H40-300
24	300	ms	59,116	116,588	6,680	34	1100RNG24H40-300
30	300	ms	64,086	117,095	7,241	34	1100RNG30H40-300
36	300	ms	68,288	117,601	7,716	34	1100RNG36H40-300
48	300	ms	75,182	119,022	8,495	35	1100RNG48H40-300
6	330	ms	58,181	444,734	6,574	130	1550RNG6H48-330
8	300	ms	80,606	445,349	9,108	130	1550RNG8H48-300
10	300	ms	92,515	444,734	10,454	130	1550RNG10H48-300
12	300	ms	107,458	446,580	12,142	131	1550RNG12H48-300
15	300	ms	120,116	444,734	13,572	130	1550RNG15H48-300
16	300	ms	125,121	445,349	14,138	130	1550RNG16H48-300
18	300	ms	132,272	446,580	14,946	131	1550RNG18H48-300
20	300	ms	140,376	447,810	15,862	131	1550RNG20H48-300
24	300	ms	150,005	450,272	16,950	132	1550RNG24H48-300
30	300	ms	130,627	444,734	14,760	130	1550RNG30H48-300
36	300	ms	139,096	446,580	15,717	131	1550RNG36H48-300
48	300	ms	152,912	449,617	17,278	132	1550RNG48H48-300
8	330	ms	133,373	1,440,751	15,070	422	2000RNG8H56-330
9	300	ms	164,839	1,444,645	18,626	423	2000RNG9H56-300
10	300	ms	150,967	1,440,751	17,058	422	2000RNG10H56-300
12	300	ms	194,626	1,446,982	21,992	423	2000RNG12H56-300
15	300	ms	215,025	1,444,645	24,297	423	2000RNG15H56-300
16	300	ms	228,445	1,446,982	25,813	423	2000RNG16H56-300
18	300	ms	234,876	1,451,655	26,540	425	2000RNG18H56-300
20	300	ms	249,526	1,440,751	28,195	422	2000RNG20H56-300
24	300	ms	267,824	1,446,982	30,263	423	2000RNG24H56-300
30	300	ms	292,060	1,456,328	33,001	426	2000RNG30H56-300
36	300	ms	249,691	1,437,636	28,214	421	2000RNG36H56-300
40	300	ms	258,796	1,440,751	29,242	422	2000RNG40H56-300
48	300	ms	274,887	1,446,982	31,061	423	2000RNG48H56-300
60	300	ms	295,309	1,456,328	33,368	426	2000RNG60H56-300

RING DRIVE ORDERING PROCEDURE

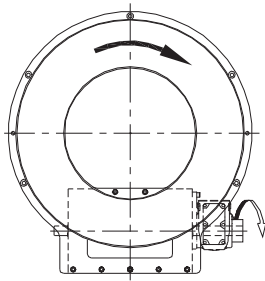
Customer Name: _____ Date: _____

- Specify Ring Drive Model (from capacity chart). For example: 750RNG42H40-300 _____
- Select Drive Package: Gear Motor, AC Drive and AC Drive voltage.

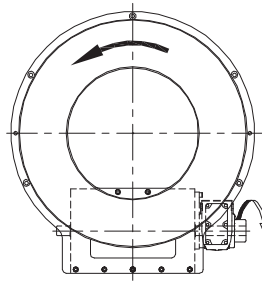
Ring Drive Model	Gear Motor (select 1)	AC Motor Drive (select 1)	AC Drive Input Voltage (select 1)
<input type="radio"/> 750RNG	<input type="radio"/> KH37DT80N4 (1 hp)	<input type="radio"/> 1 hp IM-pAC	<input type="radio"/> 120V <input type="radio"/> 240V <input type="radio"/> 460V
	<input type="radio"/> KH47DT90L4 (2 hp)	<input type="radio"/> 2 hp Commander SK	<input type="radio"/> 240V <input type="radio"/> 460V
<input type="radio"/> 1100RNG	<input type="radio"/> KH37DT80N4 (1 hp)	<input type="radio"/> 1 hp IM-pAC	<input type="radio"/> 120V <input type="radio"/> 240V <input type="radio"/> 460V
	<input type="radio"/> KH47DT90L4 (2 hp)	<input type="radio"/> 2 hp Commander SK	<input type="radio"/> 240V <input type="radio"/> 460V
<input type="radio"/> 1550RNG	<input type="radio"/> KH47DT90L4 (2 hp)	<input type="radio"/> 2 hp Commander SK	<input type="radio"/> 240V <input type="radio"/> 460V
<input type="radio"/> 2000RNG	<input type="radio"/> KH57DT100LS4 (3 hp)	<input type="radio"/> 3 hp Commander SK	<input type="radio"/> 240V <input type="radio"/> 460V

- Select Hand of Cam Right Hand (Standard) Left Hand

RIGHT HAND CAM LEAD



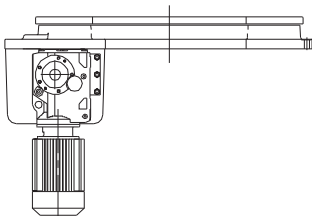
LEFT HAND CAM LEAD



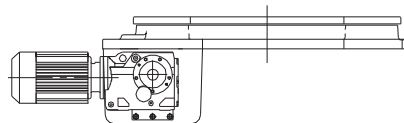
Note: Input may rotate in either direction to achieve desired direction of output rotation. The drawing shows the relative rotation between the input and the output.

- Select Gear Motor Mounting Mounting "A" Mounting "B"

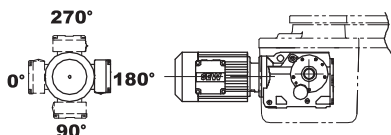
REDUCER MOUNTING "A"



REDUCER MOUNTING "B"



- Select Location of Conduit Box Location on Motor 0° 180° (as shown)
 90° 270°





A DOVER COMPANY

PRECISELY POSITIONING OUR CUSTOMERS FOR PRODUCTIVITY.

Workholding

- Widest variety of workholding products
- High durability and reliability
- Flexible solutions for all applications
- Custom products for unique requirements

Automation

- Broad range of engineered automation products
- Complementary products for modular integration
- Unmatched accuracy, reliability and performance
- Unparalleled global sales, service and engineering support

DE-STA-CO GLOBAL LOCATIONS

NORTH AMERICA

DE-STA-CO Headquarters
 Auburn Hills, Michigan
 Tel: 1.248.836.6700
 Marketing: marketing@destaco.com

Auburn Hills, Michigan
 Tel: 1.888.DESTACO
 Customer Service: cs-workholding@destaco.com

Wheeling, Illinois
 Tel: 1.800.645.5207
 Customer Service: camco@destaco.com

Monroe, Connecticut
 Tel: 1.888.DESTACO
 Customer Service: cs-automation@destaco.com

Charlevoix, Michigan
 Tel: 1.888.DESTACO
 Customer Service: cs-automotive@destaco.com

SOUTH AMERICA

Brazil
 Tel: 0800-124070
 Customer Service: samerica@destaco.com

ASIA

Thailand
 Tel: +66-2-326-0812
 Customer Service: info@destaco.com

China
 Tel: +86-21-5423-4435
 Customer Service: china@destaco.com

India
 Tel: +91 80 22211961, 22275533
 Customer Service: india@destaco.com

EUROPE

Germany
 Tel: +49-6171-705-0
 Customer Service: europe@destaco.com

France
 Tel: +33-1-3996-5000
 Customer Service: france@destaco.com

UK
 Tel: +44-1902-797980
 Customer Service: uk@destaco.com

Spain
 Tel: +34-936361680
 Customer Service: spain@destaco.com

Netherlands
 Tel: +31-297285332
 Customer Service: benelux@destaco.com

Belgium
 Tel: +32-23671311
 Customer Service: ferguson@destaco.com



A DOVER COMPANY

Automation

Robohand FERGUSON
CAMCO

1444 South Wolf Road
 Wheeling, IL 60090
 Phone: 1.847.459.5200
 Fax: 1.847.459.3064

Email: camco@destaco.com
 Web: www.destaco.com



Precisely positioning our customers for productivity.

© Copyright, 2008 DE-STA-CO. All rights for layout, photos and text rest with the publisher DE-STA-CO. All photomechanical or other reproductions only with our express permission. All sales are based on our terms and conditions of sale, delivery and payment.