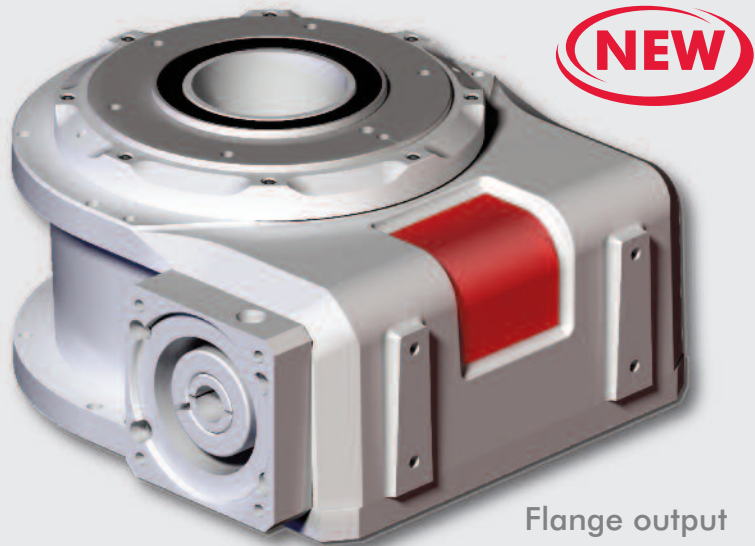


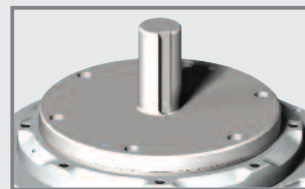
SMARTER INDEXING

The **CAMCO RSD Rotary Servo Drive** is a zero-backlash, cam-actuated drive compatible with industry-standard servo motors for precise control, efficiency and flexibility.

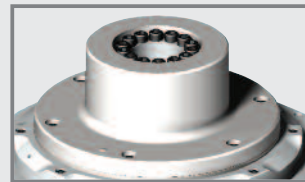
- Designed to accept a variety of servo motors
- Preloaded system
 - Zero backlash
 - High accuracy
 - Smooth motion
 - Quiet operation
 - High speed
- Indexing flexibility
 - Run different parts on the same indexer
 - Variable indexing: reversing, sorting, vary distance with each index
- 4:1 to 18:1 ratios in a single stage
- Features
 - Universal mounting
 - Maintenance-free operation
 - Large output bearing for greater overturning moment capacity
 - Large thru-hole for accessory lines (electric, pneumatic, etc.)
 - IP-65 rating
 - Class 100 rated with Med-Redi preparation



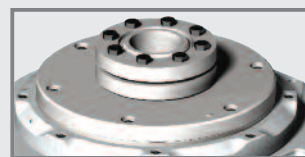
Flange output



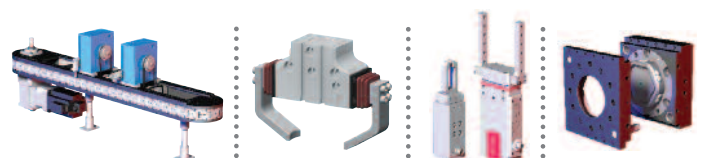
Shaft output



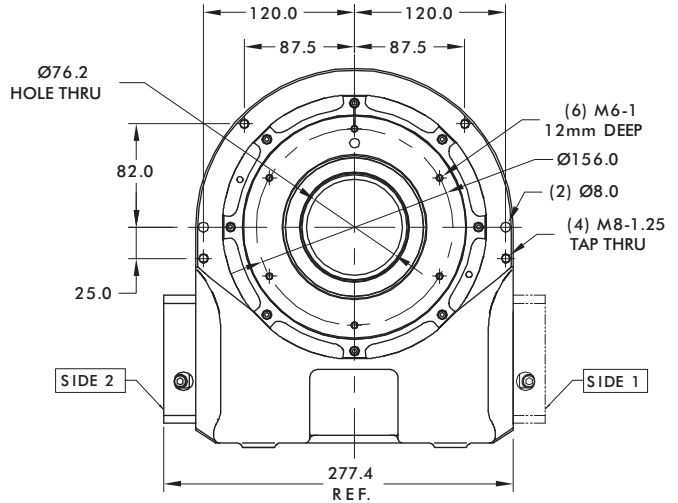
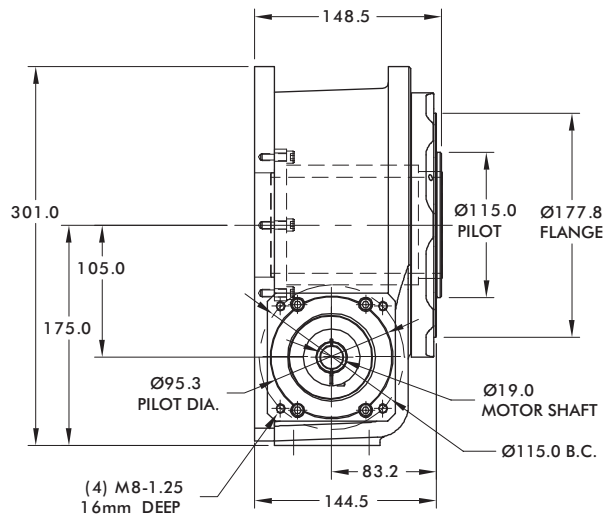
Internal shrink disk output



Shrink disk output



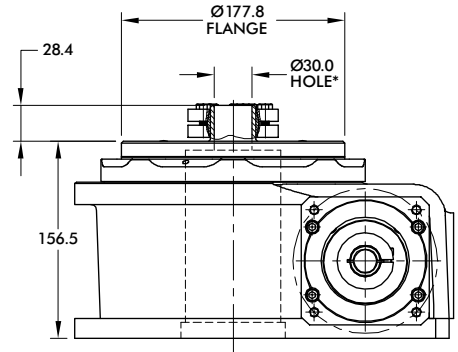
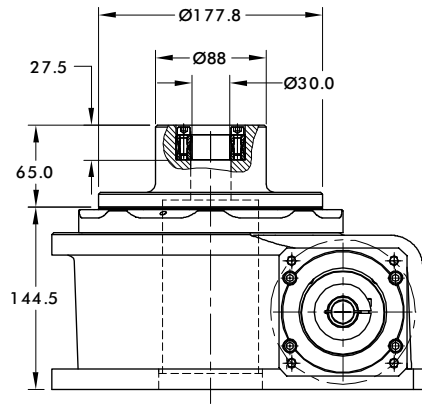
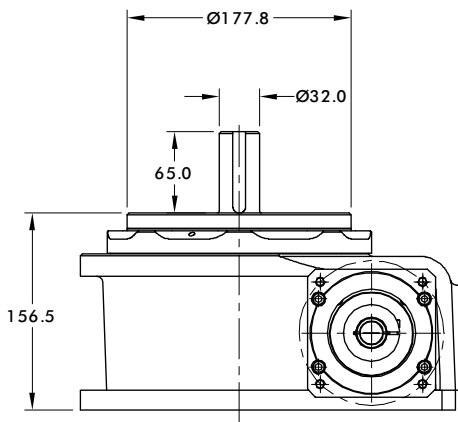
RSD Series with Flange Output



Shaft Output

Internal Shrink Disk Output

Shrink Disk Output



* Also available with 40mm bore.

Series 115RSD Technical Information

Specifications	Units	Standard Ratios					Other Available Ratios				
Single Reduction Ratio	-	8:1	16:1	4:1	5:1	6:1	9:1	12:1	15:1	18:1	
Max Inertia on Output Dial	lb-in ²	19,463	77,853	4,866	7,603	10,948	24,633	43,792	68,425	98,533	
Inertia reflected at Input Shaft	lb-in ²	5.29	3.93	11.30	8.75	6.65	4.81	5.14	4.05	3.71	
Assembly Torque	in-lb	30			30						
Maximum Axial Load	lbs	2,270			2,270						
Maximum Radial Load	lbs	910			910						
Maximum Offset Load (Overturning Moment)	in-lb	3,180			3,180						
Dial Flatness	in. TIR	0.002			0.002						
Axial Run-Out	inches	0.0015			0.0015						
Accuracy	arc sec.	±30			±30						
Repeatability	arc sec.	±7			±7						